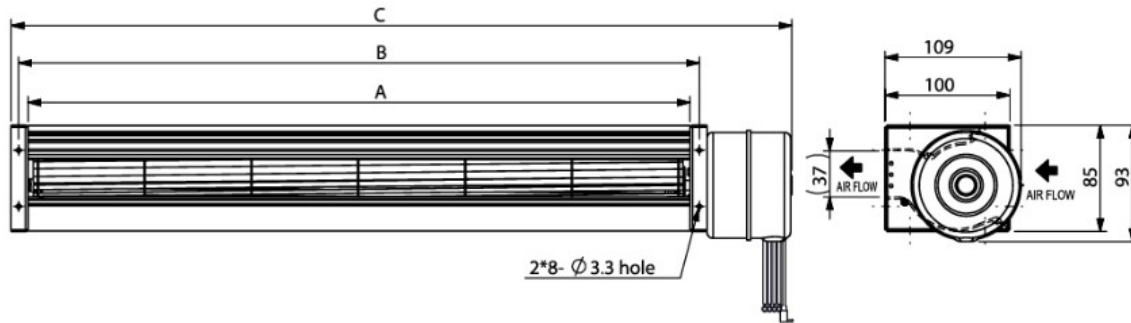


CA060MC SERIES

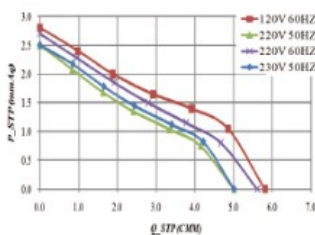
- Size: $\phi 60\text{mm}$
- Housing / Impeller: Aluminum / Aluminum
- Motor: AC Capacity Type
- Operating Temperature: $0^{\circ}\text{C} \sim +45^{\circ}\text{C}$
- Insulation: Class A



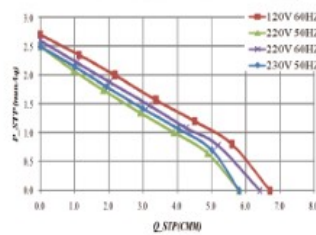
Model Number	Size (mm)			Voltage (V)	Frequency (Hz)	Current (A)	Power (W)	Speed (RPM)	Air Flow (CFM)	Pressure (mmH2O)	Noise (dB(A))	Weight (g)
	A	B	C									
CA06042__HWMC	430	445	525	120	60	0.30	34	3100	205	2.8	48	2000
				220	50/60	0.16/0.17	29/34	2650/3000	177/198	2.5/2.7	44/47	
				230	50	0.17	31	2650	177	2.5	44	
CA06052__HWMC	530	545	625	120	60	0.32	36	3000	237	2.7	48	2100
				220	50/60	0.17/0.18	31/36	2600/2900	205/226	2.5/2.6	45/47	
				230	50	0.18	33	2600	205	2.5	45	
CA06060V__HWMC	610	625	705	120	60	0.34	38	2900	261	2.6	48	2200
				220	50/60	0.17/0.19	32/37	2500/2750	226/247	2.4/2.5	45/47	
				230	50	0.18	34	2550	230	2.4	45	
CA06070__HWMC	710	725	805	120	60	0.36	40	2800	297	2.6	49	2300
				220	50/60	0.18/0.20	34/39	2400/2550	258/272	2.3/2.5	46/47	
				230	50	0.19	36	2450	261	2.4	46	

_ for B / S = Ball Bearing / Sleeve Bearing

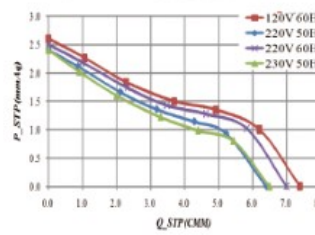
CA06042MC



CA06052MC



CA06060MC



CA06070MC

